

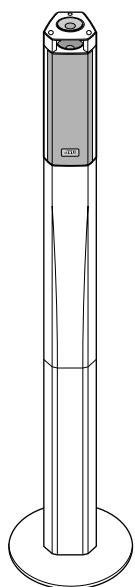
JVC



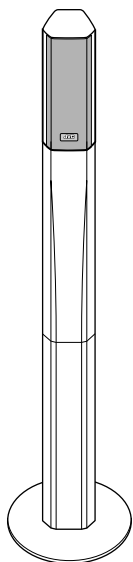
SATELLITE SPEAKER SYSTEM

卫星扬声器系统

SP-XF70 / SP-XF30



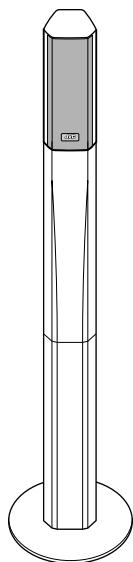
SP-XF30S



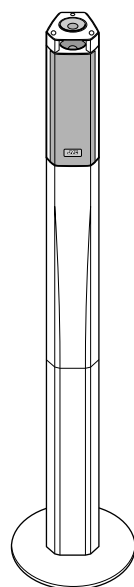
SP-XF30F



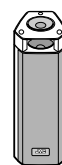
SP-XF30C
SP-XF70C



SP-XF30F



SP-XF30S



SP-XF70S

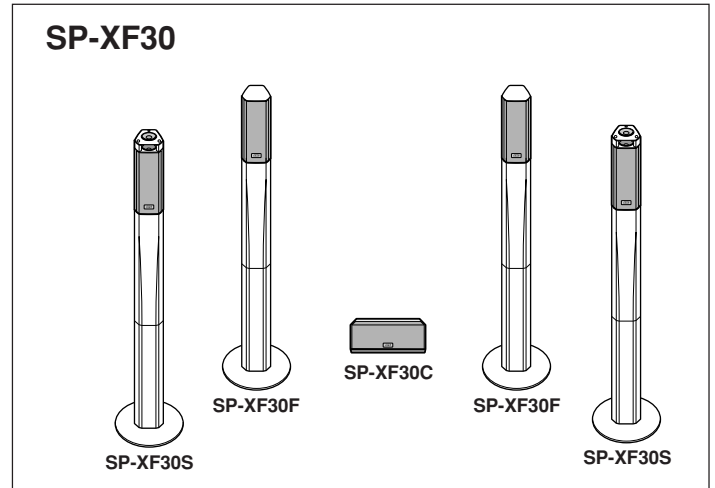
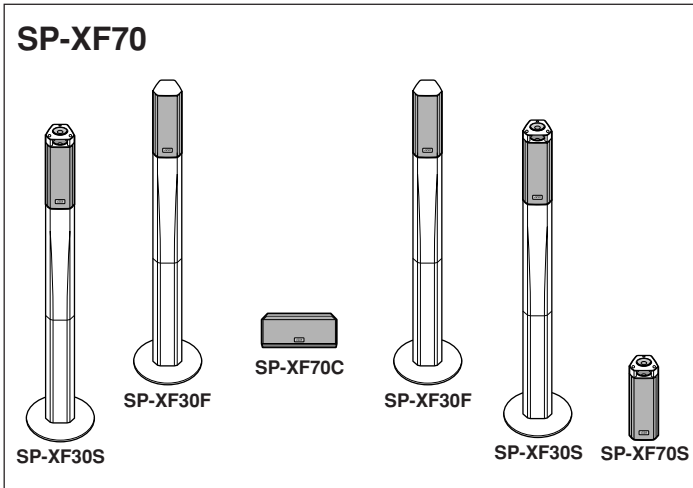
- Only for SP-XF70
- 只适用于 SP-XF70

INSTRUCTIONS 使用说明书

Thank you for purchasing JVC speakers.
Before you begin using them, please read the instructions carefully.

Contents

Warnings, Cautions and Others	2
Assembling the front and surround speakers	3
Connections	4
Specification	8



Warnings, Cautions and Others

■ Precautions for installation

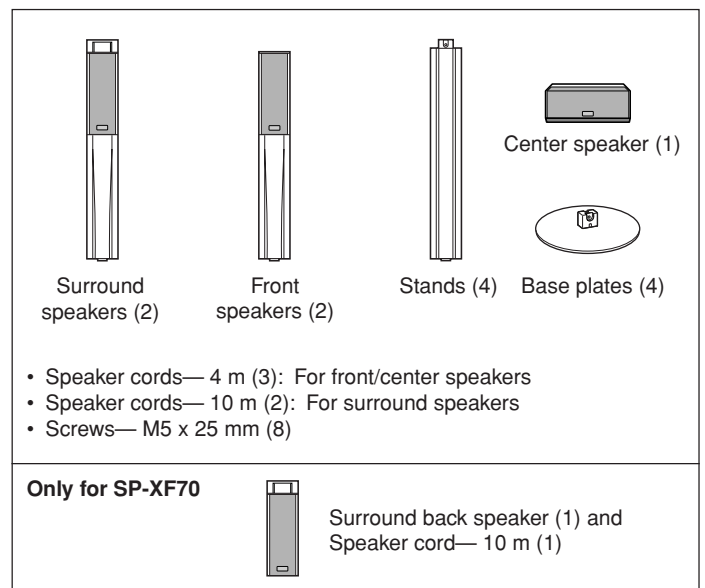
- Do not install the speakers on an uneven surface or in a place subject to vibration; otherwise, they may fall over, causing damage or injury.
- The speakers are magnetically shielded to avoid color distortions on TVs if they are installed properly.
 - When placing the speakers near a TV set, turn off the TV's main power switch or unplug it before installing the speakers. Then wait at least 30 minutes before turning on the TV's main power switch again. If there are still distortion, move the speakers further away from the TV.

■ Precautions for daily use

- Do not reproduce sounds at so high a volume that they are distorted; otherwise, the speakers may be damaged by internal heat buildup.
- When moving the speakers, do not pull the speaker cords; otherwise, the speakers may fall over, causing damage or injury.
- When holding a speaker, always grasp the lower portion.

■ Checking the Components

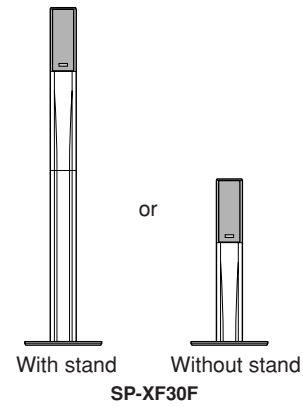
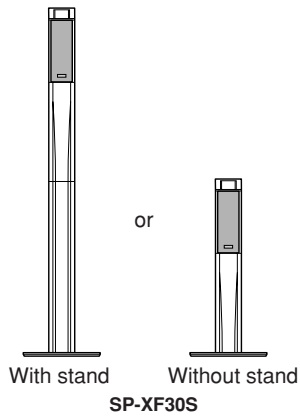
Check to be sure you have the following components.
The number in parenthesis indicates the quantity of the piece supplied.



If any of the items above are missing, contact your dealer immediately.

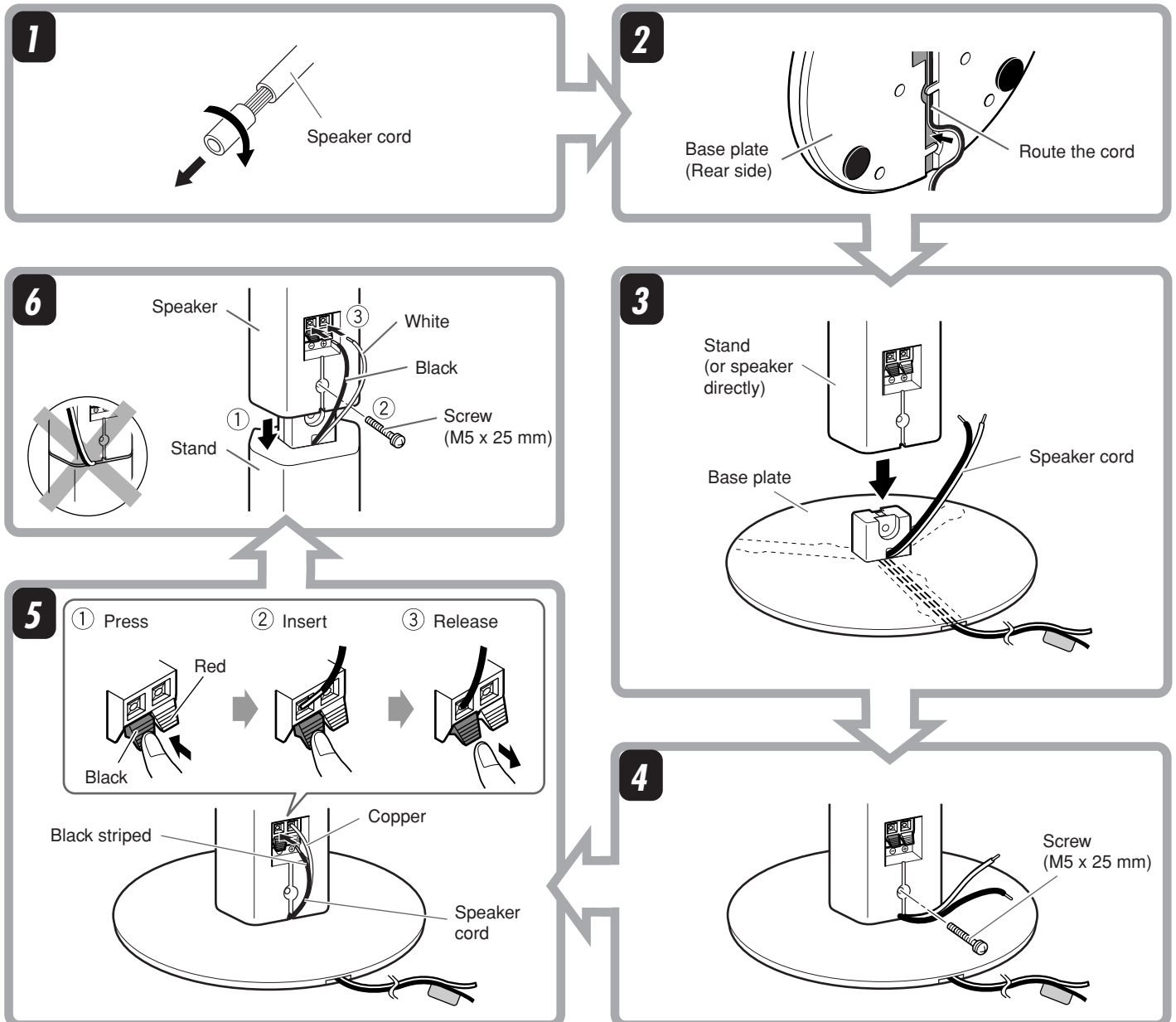
Assembling the front and surround speakers

Assembled speakers: With stand: Refer to Steps 1 to 6
Without stand: Refer to Steps 1 to 5



Before assembling—

- Prepare a Philips screwdriver (not supplied).
- Take care not to drop any component part while assembling; otherwise, it may cause damage to the floor or injury.
- Each speaker cord has its name tag attached to one end. Attach the end without the name tag to the speaker terminal.



Continue on the next page

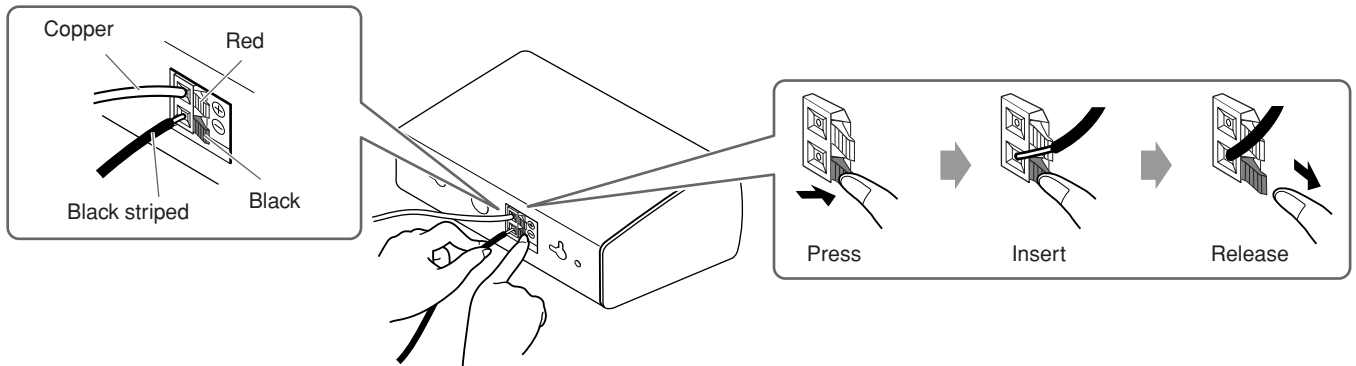
Connections

■ Connecting the speaker system to the amplifier

Before connecting—

- Turn off the power to the amplifier before connecting the speaker system; otherwise, the speakers may be damaged.
- The impedance of each speaker is 6 Ω. Before connecting them to your amplifier, check the speaker impedance range of your amplifier. If the impedance of this speaker is out of the speaker impedance range indicated on the amplifier, you cannot connect this system to the amplifier.
- The maximum power handling capacity of the speakers are 100 W. Excessive input will result in abnormal noise and possible damage.
- Be sure to turn down the volume level to prevent unwanted noise before performing following operations:
 - Turning on or off other components,
 - Operating the amplifier,
 - Tuning FM stations,
 - Fast-forwarding a tape,
 - Continuously reproducing high frequency oscillation or high pitch electronic sounds.
- When using a microphone, do not aim it at the speakers or use it near the speakers; otherwise, the howling which occurs may damage the speakers.
- Before replacing the cartridge, always turn off the power to the turntable; otherwise, the clicking noise may damage the speakers.

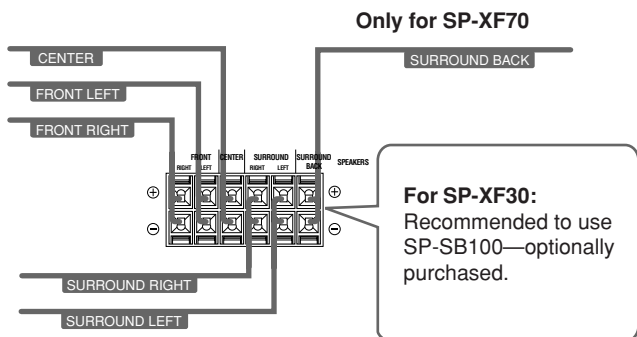
■ Connecting the Center speaker



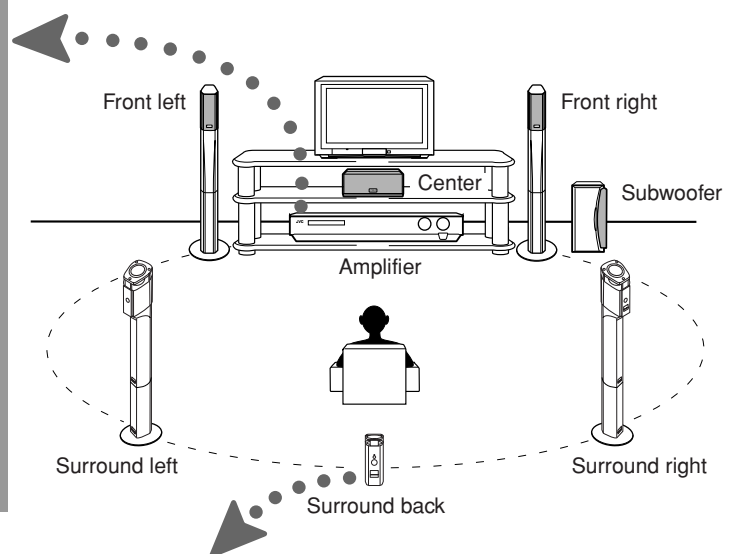
■ Typical connection method to an amplifier

Connect the speakers to the speaker terminals of the amplifier with the speaker cords by referring to the diagram below.

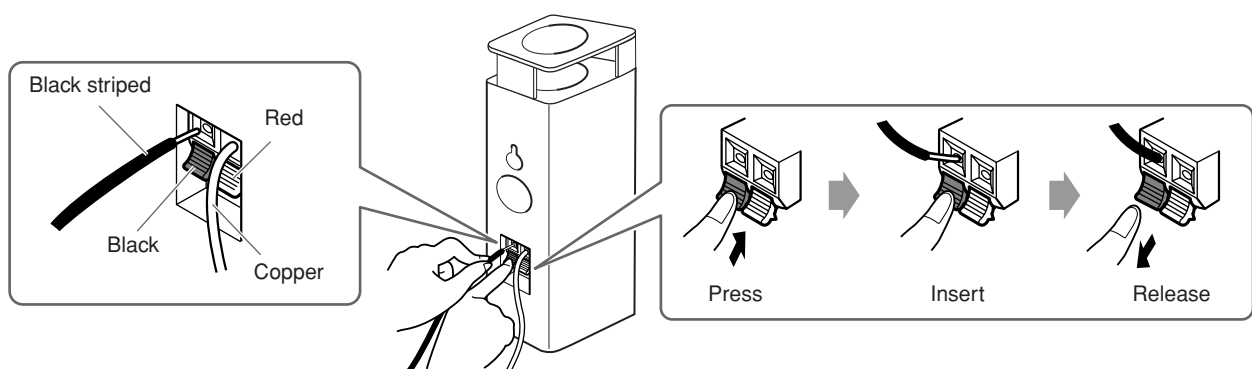
- Make sure to match the polarity (⊕ and ⊖) when connecting the speaker cords.
- The diagram below is an example of a typical connection.



■ Speaker layout



■ Connecting the Surround back speaker—Only for SP-XF70



English

SP-XF30F (Front speakers)

Type: 2-way 3-speaker Bass reflex type (Magnetically-shielded type)
Speaker unit: 5.5 cm cone (× 2), 3.0 cm dome
Frequency range: 95 Hz to 40 000 Hz
Input impedance: 6 Ω
Power handling Capacity: 100 W
Sound pressure level: 80 dB/W•m
Dimensions: 250 mm (W) × 1 103 mm (H) × 250 mm (D)
Mass: 3.67 kg each

SP-XF30S (Surround speakers)

Type: 2-way 3-speaker Bass reflex type (Magnetically-shielded type)
Speaker unit: 5.5 cm cone (× 2), 3.0 cm dome
Frequency range: 90 Hz to 40 000 Hz
Input impedance: 6 Ω
Power handling Capacity: 100 W
Sound pressure level: 77 dB/W•m
Dimensions: 250 mm (W) × 1 103 mm (H) × 250 mm (D)
Mass: 3.83 kg each

SP-XF70C / SP-XF30C (Center speaker)

Type: 2-way 3-speaker Bass reflex type (Magnetically-shielded type)
Speaker unit: 5.5 cm cone (× 2), 3.0 cm dome
Frequency range: 90 Hz to 40 000 Hz
Input impedance: 6 Ω
Power handling Capacity: 100 W
Sound pressure level: 81 dB/W•m
Dimensions: 209 mm (W) × 85 mm (H) × 92 mm (D)
Mass: 0.87 kg

SP-XF70S (Surround back speaker)

Type: 2-way 3-speaker Bass reflex type (Magnetically-shielded type)
Speaker unit: 5.5 cm cone (× 2), 3.0 cm dome
Frequency range: 90 Hz to 40 000 Hz
Input impedance: 6 Ω
Power handling Capacity: 100 W
Sound pressure level: 78 dB/W•m
Dimensions: 84 mm (W) × 211 mm (H) × 120 mm (D)
Mass: 0.96 kg

Design and specifications are subject to change without notice.

中文

SP-XF30F (前置扬声器)

类型：2-路3-扬声器低音反射型（磁性屏蔽型）
扬声器装置：5.5 cm 圆锥型（×2），3.0 cm 圆顶型
频率范围：95 Hz 至 40 000 Hz
输入阻抗：6 Ω
功率电容：100 W
声压水平：80 dB/W•m
尺寸：250 mm (宽) × 1 103 mm (高) × 250 mm (深)
重量：每只 3.67 kg

SP-XF30S (环绕扬声器)

类型：2-路3-扬声器低音反射型（磁性屏蔽型）
扬声器装置：5.5 cm 圆锥型（×2），3.0 cm 圆顶型
频率范围：90 Hz 至 40 000 Hz
输入阻抗：6 Ω
功率电容：100 W
声压水平：77 dB/W•m
尺寸：250 mm (宽) × 1 103 mm (高) × 250 mm (深)
重量：每只 3.83 kg

SP-XF70C / SP-XF30C (中置扬声器)

类型：2-路3-扬声器低音反射型（磁性屏蔽型）
扬声器装置：5.5 cm 圆锥型（×2），3.0 cm 圆顶型
频率范围：90 Hz 至 40 000 Hz
输入阻抗：6 Ω
功率电容：100 W
声压水平：81 dB/W•m
尺寸：209 mm (宽) × 85 mm (高) × 92 mm (深)
重量：0.87 kg

SP-XF70S (后置环绕扬声器)

类型：2-路3-扬声器低音反射型（磁性屏蔽型）
扬声器装置：5.5 cm 圆锥型（×2），3.0 cm 圆顶型
频率范围：90 Hz 至 40 000 Hz
输入阻抗：6 Ω
功率电容：100 W
声压水平：78 dB/W•m
尺寸：84 mm (宽) × 211 mm (高) × 120 mm (深)
重量：0.96 kg

设计和规格可以在不预先通知的情况下更改。

عربي

SP-XF70C / SP-XF30C (سماعة المركز)

النوع: ٣ - سماعة، ٢ - اتجاه، نوع باص يفلكس (نوع محجوب - مغنطيسيا)
وحدة السماعة: مخروط ٥،٥ سم (٢ ×)، مقببة ٣،٠ سم
مدى التردد: ٩٠ هرتز الى ٤٠٠٠٠ هرتز
ممانعة الدخل: ٦ اوم
سعة معالجة الطاقة: ١٠٠ واط
مستوى ضغط الصوت: ٨١ ديسبل/W.m
الابعاد: ٢٠٩ مم (عرض) × ٨٥ مم (ارتفاع) × ٩٢ مم (عمق)
الكتلة: ٠،٨٧ كغم

SP-XF70S (سماعات الصوت المحيط الخلفي)

النوع: ٣ - سماعة، ٢ - اتجاه، نوع باص يفلكس (نوع محجوب - مغنطيسيا)
وحدة السماعة: مخروط ٥،٥ سم (٢ ×)، مقببة ٣،٠ سم
مدى التردد: ٩٠ هرتز الى ٤٠٠٠٠ هرتز
ممانعة الدخل: ٦ اوم
سعة معالجة الطاقة: ١٠٠ واط
مستوى ضغط الصوت: ٧٨ ديسبل/W.m
الابعاد: ٨٤ مم (عرض) × ٢١١ مم (ارتفاع) × ١٢٠ مم (عمق)
الكتلة: ٠،٩٦ كغم

المواصفات والتصميم معرضة للتغيير بدون اشعار.

SP-XF30F (السماعات الامامية)

النوع: ٣ - سماعة، ٢ - اتجاه، نوع باص يفلكس (نوع محجوب - مغنطيسيا)
وحدة السماعة: مخروط ٥،٥ سم (٢ ×)، مقببة ٣،٠ سم
مدى التردد: ٩٥ هرتز الى ٤٠٠٠٠ هرتز
ممانعة الدخل: ٦ اوم
سعة معالجة الطاقة: ١٠٠ واط
مستوى ضغط الصوت: ٨٠ ديسبل/W.m
الابعاد: ٢٥٠ مم (عرض) × ١١٠٣ مم (ارتفاع) × ٢٥٠ مم (عمق)
الكتلة: ٣،٦٧ كغم لكل سماعة

SP-XF30S (سماعات الصوت المحيط)

النوع: ٣ - سماعة، ٢ - اتجاه، نوع باص يفلكس (نوع محجوب - مغنطيسيا)
وحدة السماعة: مخروط ٥،٥ سم (٢ ×)، مقببة ٣،٠ سم
مدى التردد: ٩٠ هرتز الى ٤٠٠٠٠ هرتز
ممانعة الدخل: ٦ اوم
سعة معالجة الطاقة: ١٠٠ واط
مستوى ضغط الصوت: ٧٧ ديسبل/W.m
الابعاد: ٢٥٠ مم (عرض) × ١١٠٣ مم (ارتفاع) × ٢٥٠ مم (عمق)
الكتلة: ٣،٨٣ كغم لكل سماعة